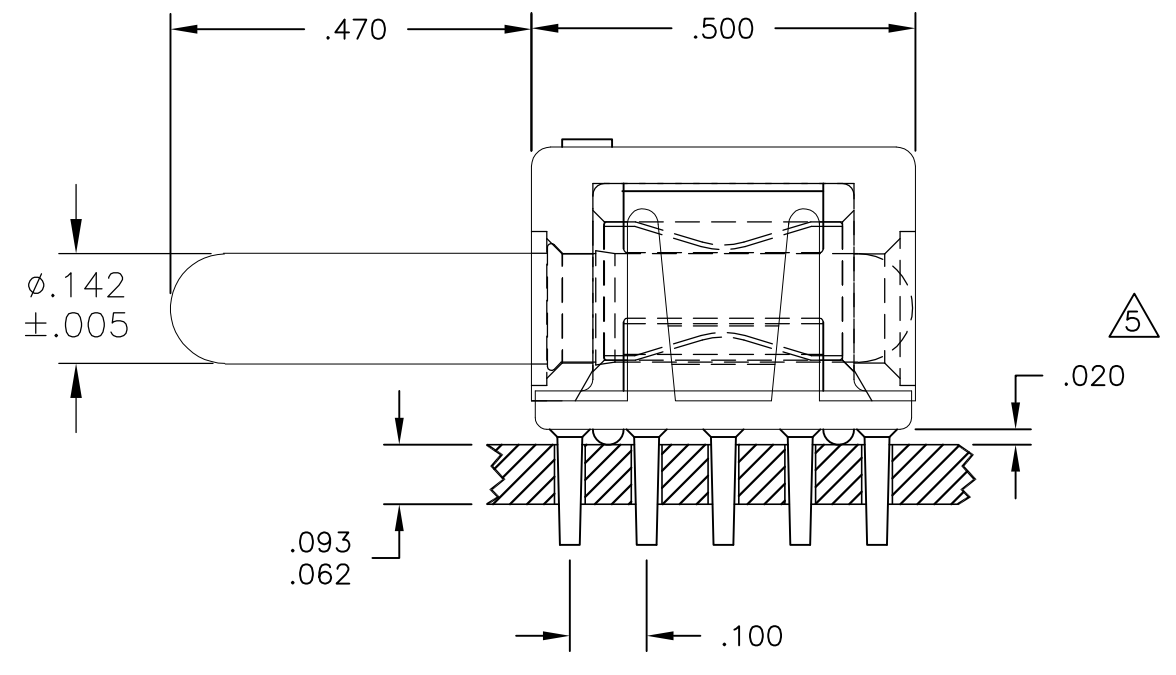
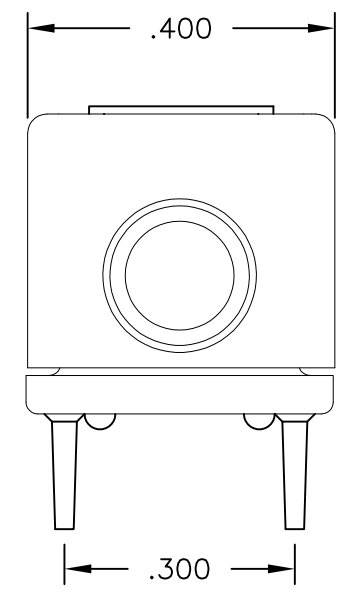
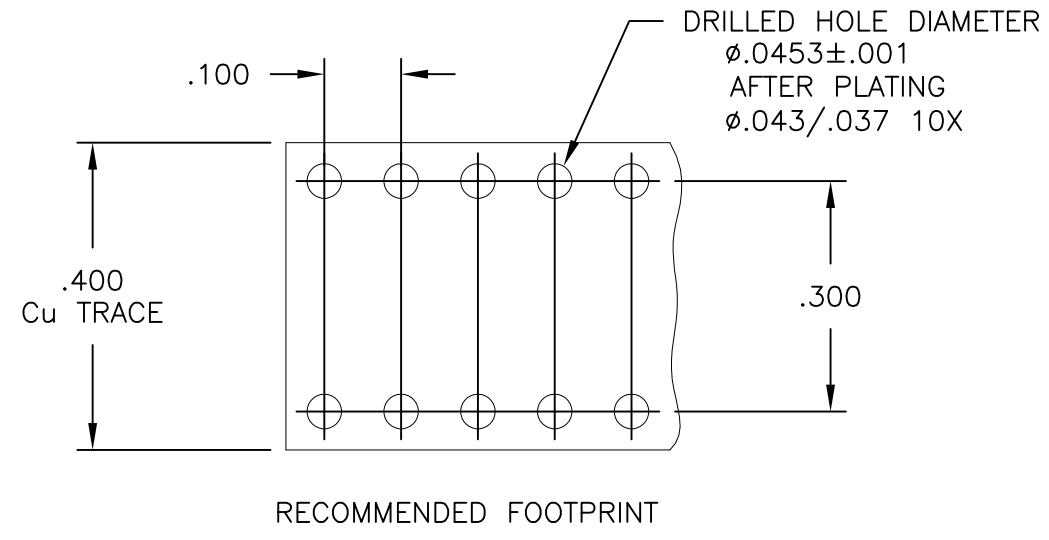


THIS DRAWING IS UNPUBLISHED. RELEASED FOR PUBLICATION
 © COPYRIGHT - By - ALL RIGHTS RESERVED.

| LOC | DIST | REVISIONS | | | | | |
|-----|------|-----------|-----|-----------------------|-----------|-----|------|
| GP | 00 | P | LTR | DESCRIPTION | DATE | DWN | APVD |
| | | C | | REV PER ECO-11-007678 | 11MAY2011 | RG | DO |



5 A FIVE-POUND (5 lbs) FORCES REQUIRED TO CORRECTLY SEAT THE CONNECTOR WITH PLATED THROUGH HOLES LESS THAN $\phi.040$ INCH.

4. FINISH:
 MODULE - SILVER PLATED .000200 MIN THK. OVER NICKEL .000040 MIN THK.
 CROWN - GOLD PLATED .000030 MIN THK. OVER NICKEL .000040 MIN THK.
 PIN CONTACT - SILVER PLATED .000200 MIN THK. OVER NICKEL .000040 MIN THK.

3. MATERIAL:
 INSULATOR - POLYESTER, GLASS FILLED, UL 94 V-0, COLOR: BLACK
 MODULE - METAL CASTING
 CROWN - BECU
 CONTACT - BRASS

2. ITEMS PROVIDED TO THIS SPECIFICATION SHALL BE IDENTIFIED ON CONTAINER WITH THE FOLLOWING INFORMATION: PART NUMBER AND DATE CODE OF MANUFACTURE.

1. PART NUMBER CHANGES AND/OR DESIGN CHANGES AFFECTING ITEM INTERCHANGEABILITY REQUIRE PRIOR TE APPROVAL AND AUTHORIZATION BY REVISION TO THIS DRAWING.

6643281-1
 PART NUMBER

| | | | | | | | | | | | | | | | | |
|--|------------|----------------------------------|---|--------------------|---------|-------|-----------|-------|------------|-------|---------|--------|----------|-------------------|------------|--|
| THIS DRAWING IS A CONTROLLED DOCUMENT. | | DWN 11JAN2011 ALIM/GRZYBOWSKI | TE Connectivity | | | | | | | | | | | | | |
| DIMENSIONS: INCHES | | CHK - D.ORRIS | | | | | | | | | | | | | | |
| TOLERANCES UNLESS OTHERWISE SPECIFIED: | | APVD 11JAN2011 CHAU/ORRIS | NAME ICCON PIN, PARALLEL SOLDER, NON-LOCKING STYLE | | | | | | | | | | | | | |
| <table border="1"> <tr><td>0 PLC</td><td>$\pm -$</td></tr> <tr><td>1 PLC</td><td>$\pm -$</td></tr> <tr><td>2 PLC</td><td>$\pm .02$</td></tr> <tr><td>3 PLC</td><td>$\pm .010$</td></tr> <tr><td>4 PLC</td><td>$\pm -$</td></tr> <tr><td>ANGLES</td><td>$\pm .5$</td></tr> </table> | | 0 PLC | $\pm -$ | 1 PLC | $\pm -$ | 2 PLC | $\pm .02$ | 3 PLC | $\pm .010$ | 4 PLC | $\pm -$ | ANGLES | $\pm .5$ | PRODUCT SPEC - | SIZE A3 | |
| 0 PLC | $\pm -$ | | | | | | | | | | | | | | | |
| 1 PLC | $\pm -$ | | | | | | | | | | | | | | | |
| 2 PLC | $\pm .02$ | | | | | | | | | | | | | | | |
| 3 PLC | $\pm .010$ | | | | | | | | | | | | | | | |
| 4 PLC | $\pm -$ | | | | | | | | | | | | | | | |
| ANGLES | $\pm .5$ | | | | | | | | | | | | | | | |
| MATERIAL - | | FINISH - | APPLICATION SPEC - | CAGE CODE 00779 | | | | | | | | | | | | |
| | | WEIGHT - | DRAWING NO C-6643281 | RESTRICTED TO - | | | | | | | | | | | | |
| CUSTOMER DRAWING | | | SCALE 4:1 | SHEET 1 OF 1 | | | | | | | | | | | | |
| | | | REV C | | | | | | | | | | | | | |